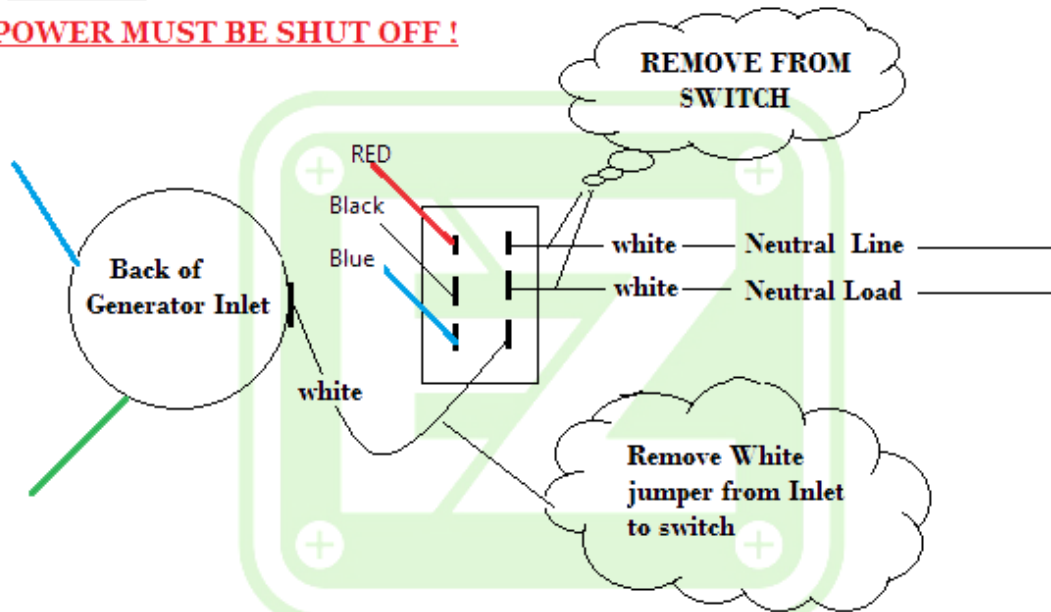


**Instructions** below for changing from Switched neutral (as you received the switch) to a Unswitched neutral, which is used for a Floating Neutral Generator.  
**Testing your Generator for the type you have :** Using a continuity tester on Resistance scale, go between 9 o'clock stab on the outlet to the generator frame. Continuity = Bonded neutral No continuity = Floating neutral

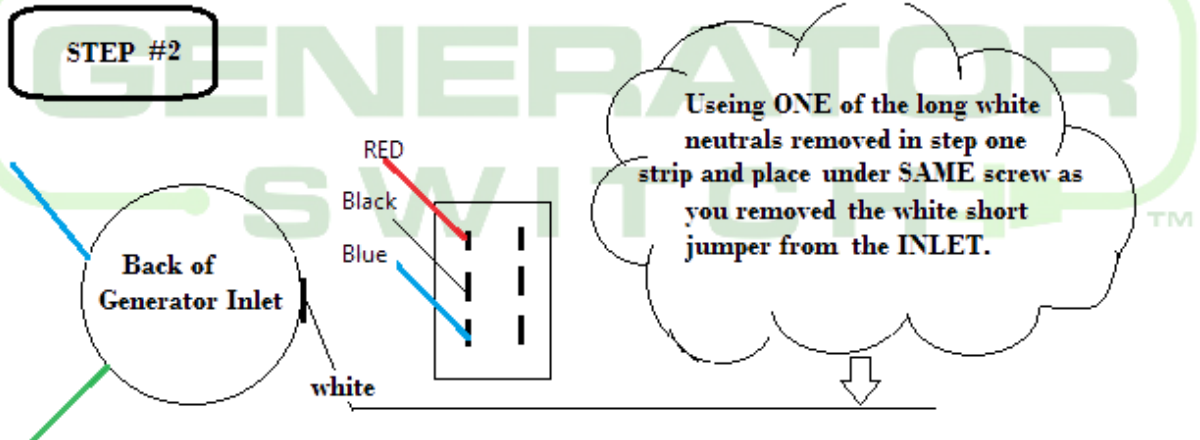
**STEP #1**

**NOTE:** you are ONLY dealing with the WHITE wires!

**POWER MUST BE SHUT OFF !**



**STEP #2**

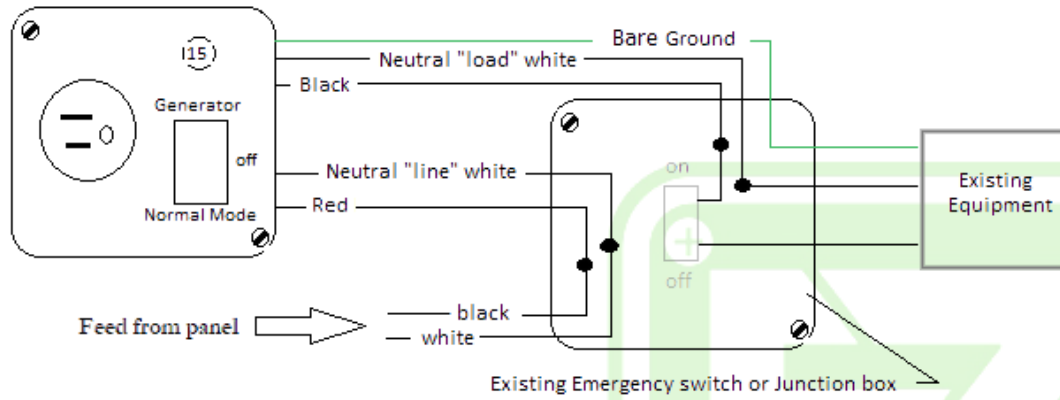


**DISCLAIMER**

Always follow electrical requirements, you may be required to contact your insurance company and the authorities having jurisdiction to be certain you are in compliance with local codes. Improper installations can cause fire, injury or death. We recommend that a qualified person perform the installation. That is one who has the skills and knowledge related to the construction and operation of electrical equipment/ installations. That they have received safety training to recognize and avoid the hazards involved. EZ Generator Switch LLC its owners and employees assume no responsibility for your operation or installation.

**Directions: Bonded Neutral Generator @ equipment (switching neutrals)**

MODEL #201  
Switch Rating single phase 15A 125V  
Conforms to UL Standard # 1008  
Certified to CAN/CSA - C22.2 #178



\*\*\*NOTE\*\*\*  
The existing NEUTRAL & FEED must be identified/found in your existing junction box or Safety switch. The feed from your panel (both hot leg & neutral) must be separated from the load going to your equipment to splice the EZ switch into your existing circuit.



**Suitable only for use with generators having the neutral bonded to ground or the generator frame**

**Warning: More than one live circuit**

**For use by "Qualified Personnel Only"**

INSTRUCTIONS >>> It is recommended all power be shut OFF and checked <<<

- \* Open EZ Generator Switch find : Bare Ground / Neutral White Line / Neutral White Load / Red / Black
- \* Temporarily remove ground wire from green ground screw in our box and secure box at your location
- \* Pick desired knock out in our box and secure offset nipple provided between locations
- \* Slide all the EZ wires thru Offset nipple, connect our bare ground under green screw and attach face plate.  
All splices should be made out of the EZ Generator Switch Box
- \* Locate your existing feed from panel, both Hot and Neutral legs and disconnect
- \* Connect our "Neutral Line" to the existing neutral from panel and install wirenut
- \* Connect our "Neutral Load" to the neutral(s) going to equipment and install wirenut
- \* Connect our RED wire to the existing wire coming from panel and install wirenut
- \* Connect our BLACK wire to the equipment feed wire and install wirenut
- \* Connect our bare ground to the existing grounds in that circuit

Check your connections with the diagram above, close all boxes, turn power on.  
Equipment should run in the "Normal Mode"

**DISCLAIMER - PLEASE READ**

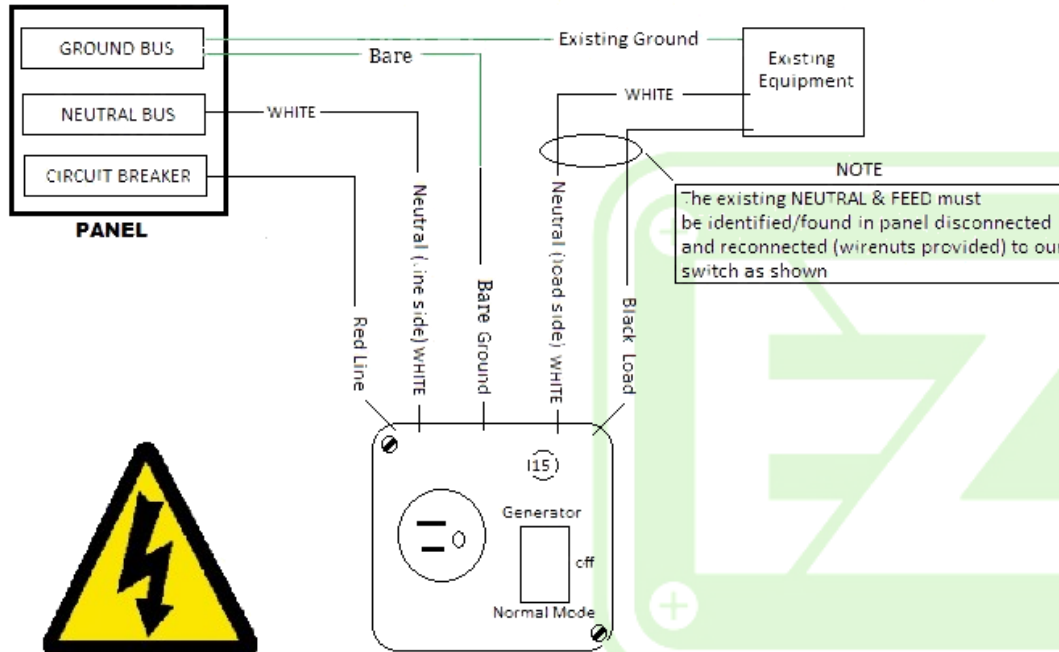
Always follow electrical requirements, you may be required to contact your insurance company and the authorities having jurisdiction to be certain you are in compliance with local codes. Improper installations can cause fire, injury or death. We recommend that a qualified person perform the installation. That is one who has the skills and knowledge related to the construction and operation of electrical equipment/ installations. That they have received safety training to recognize and avoid the hazards involved. EZ Generator Switch LLC its owners and employees assume no responsibility for your operation or installation.

**EZ GENERATOR SWITCH LLC**  
Gettysburg, PA 17325  
[www.ezgeneratorswitch.com](http://www.ezgeneratorswitch.com)

Video Instructions are located at  
Web site and You Tube

**Connections for: Bonded Neutral Generator @ Panel (Switching neutrals)**

**Arc Fault and GFCI breakers will also need to use this configuration**



**Suitable only for use with generators having the neutral bonded to ground or the generator frame**

**Warning: More than one live circuit**

**For use by "Qualified Personnel Only"**

**Directions for Connections**

- \* **ALL POWER** should be off and double checked
- \* **Remove bare ground** from ground screw at the back of the EZ Box
- \* **Pick desired knock out** in EZ box and mount offset nipple provided.
- \* **Mount EZ box** in a location at your panel close to the breaker
- \* **Fish our wires thru offset nipple** into your panel, secure bare ground under screw and close EZ Generator Switch
- \* **Disconnect the existing feed** from your breaker you have chosen and wirenut to our Black
- \* **Connect our RED** to the empty breaker you have just made available
- \* **Locate the existing neutral** that is associated with the circuit you are connecting. Trace your black feed back to entry cable to ensure you have the correct neutral
- \* **Connect our Neutral LOAD** to your neutral going to equipment
- \* **Connect our Neutral LINE** to the neutral buss bar in the panel
- \* **Connect our BARE GROUND** to the existing ground buss - In some instances this may also be the neutral buss bar
- \* **Check your connections** per the diagram above, close all boxes and energize equipment

**Model # 201**  
**Switch Rating : Single Phase 15A 125V**  
**Conforms to UL Standard #1008**  
**Certified to CAN/CSA C22.2 #178 1:2022 ED.4**



**DISCLAIMER - PLEASE READ**

Always follow electrical requirements, you may be required to contact your insurance company and the authorities having jurisdiction to be certain you are in compliance with local codes. Improper installations can cause fire, injury or death. We recommend that a qualified person perform the installation. That is one who has the skills and knowledge related to the construction and operation of electrical equipment/ installations. That they have received safety training to recognize and avoid the hazards involved. EZ Generator Switch LLC its owners and employees assume no responsibility for your operation or installation.

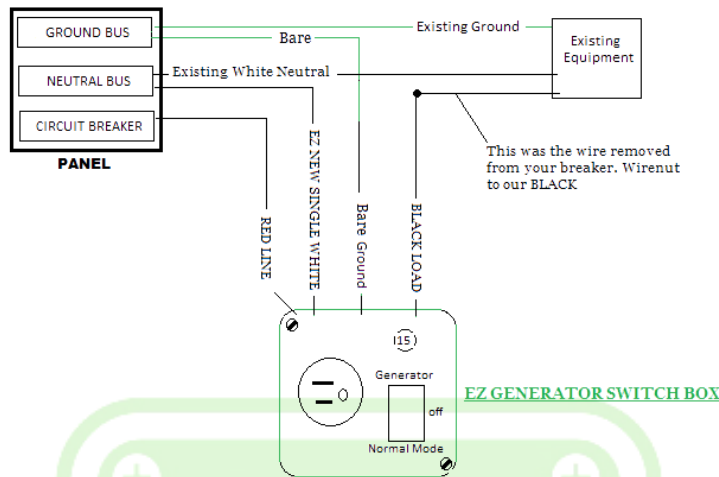
**EZ GENERATOR SWITCH LLC**  
**Gettysburg , PA 17325**  
**www.ezgeneratorswitch.com**

**Video Instructions @**  
**Web site or U-Tube !!!**

## FLOATING NEUTRAL GENERATOR CONNECTIONS @ PANEL

### CONVERT SWITCH (see instructions)

There will be ONE white left after you convert the switch - connect to neutral buss in panel



### Directions for FLOATING NEUTRAL generators - Convert switch first

- \* ALL POWER should be off and double checked
- \* Remove bare ground from ground screw at the back of the EZ Box
- \* Pick desired knock out in EZ box and mount offset nipple provided.
- \* Mount EZ box in a location at your panel close to the breaker
- \* Fish our wires thru offset nipple into your panel, secure bare ground under screw and close EZ Generator Switch
- \* Disconnect the existing feed from your breaker you have chosen and wrenut to our Black
- \* Connect our RED to the empty breaker you have just made available
- \* Connect our WHITE to the existing neutral buss bar
- \* Connect our BARE GROUND to the existing ground buss - In some instances this may also be the neutral buss bar
- \* Check your connections per the diagram above, close all boxes and energize equipment

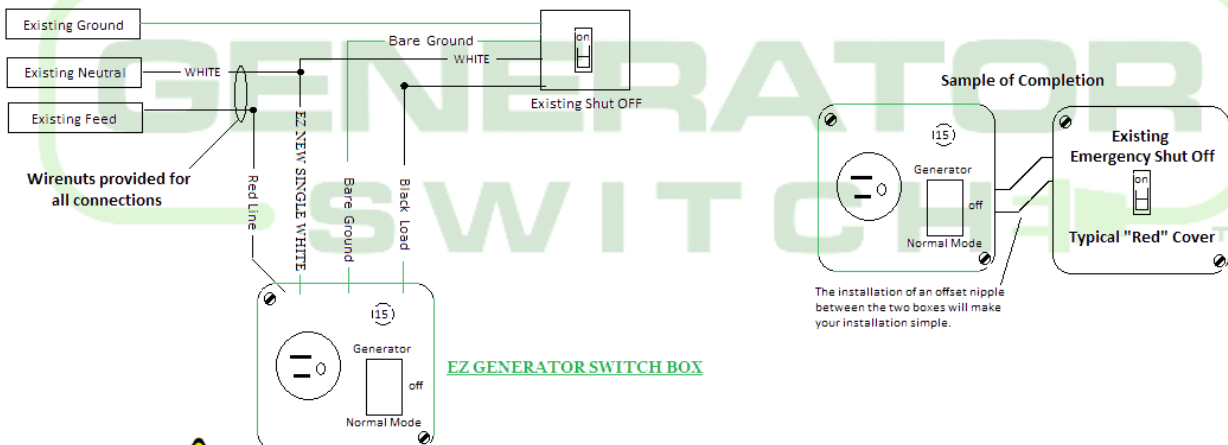


**Suitable only for use with generators that do not have the neutral bonded to ground or the generator frame**  
**Warning: More than one live circuit For use by "Qualified Personnel Only"**

## FLOATING NEUTRAL GENERATOR CONNECTIONS @ EQUIPMENT

### Convert Switch - see instructions

**NOTE: There will be one white left after converting the switch. Connect this white to the existing equipment neutral(s)**



**Suitable only for use with generators that do not have the neutral bonded to ground or the generator frame**  
**Warning: More than one live circuit For use by "Qualified Personnel Only"**

### Directions for Connections

Connecting for FLOATING NEUTRAL generators - Convert switch First per instructions attached

- \* ALL POWER should be off and double checked
- \* Loosen ground screw in our metal back box and unwind bare ground remove switch
- \* Our wires are long enough to fish thru offset nipple or chase nipple. Connections are made outside the EZ box
- \* Pick desired knock out in EZ box, mount nipple and secure/mount box
- \* Disconnect your existing feed to equipment and connect/wrenut our 'RED' to that feed
- \* Connect/wrenut our 'Black' wire to your existing equipment
- \* Connect/wrenut our 'white' neutral to your existing neutral(s)
- \* Connect our bare ground to your existing ground in your box
- \* Check your connections with the diagram above, close boxes and energize equipment

Always follow electrical requirements, you may be required to contact your insurance company and the authorities having jurisdiction to be certain you are in compliance with local codes. Improper installations can cause fire, injury or death. We recommend that a qualified person perform the installation. That is one who has the skills and knowledge related to the construction and operation of electrical equipment/ installations. That they have received safety training to recognize and avoid the hazards involved. EZ Generator Switch LLC, its owners and employees assume no responsibility for your operation or installation.

Model # 201  
 Switch Rating : Single Phase 15A 125V  
 Conforms to UL Standard #1008  
 Certified to CAN/CSA C22.2 #178 1:2022 ED.4



**Intertek**  
5000010

**EZ GENERATOR SWITCH LLC**  
 Gettysburg, PA 17325  
 www.ezgeneratorswitch.com